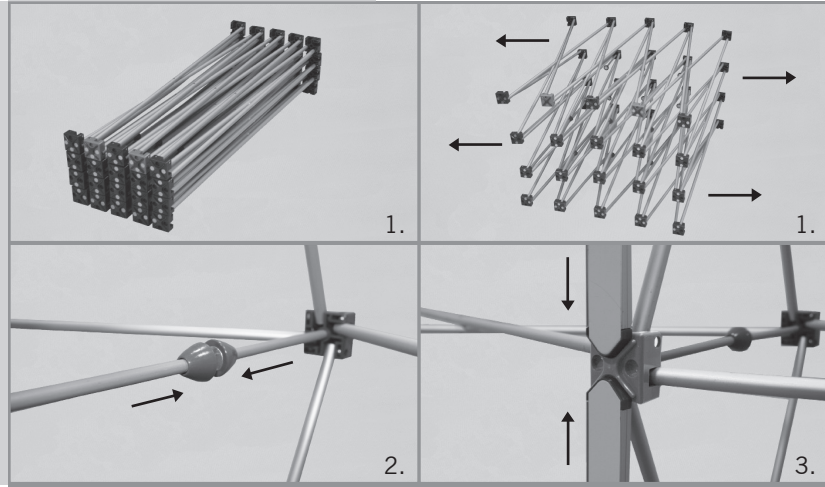
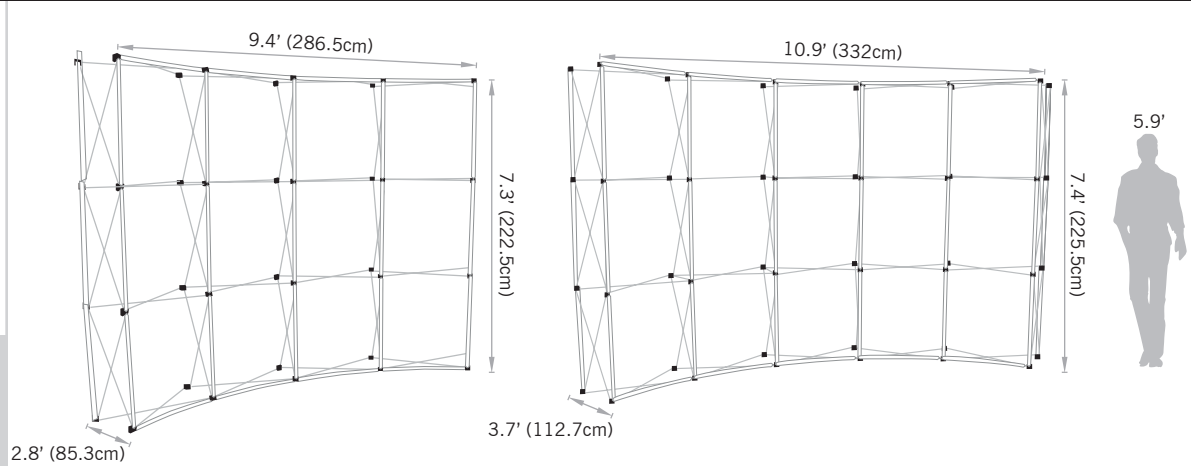
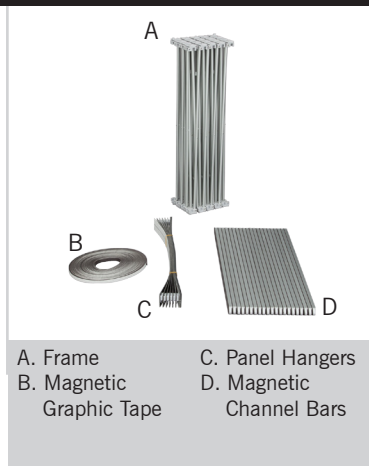


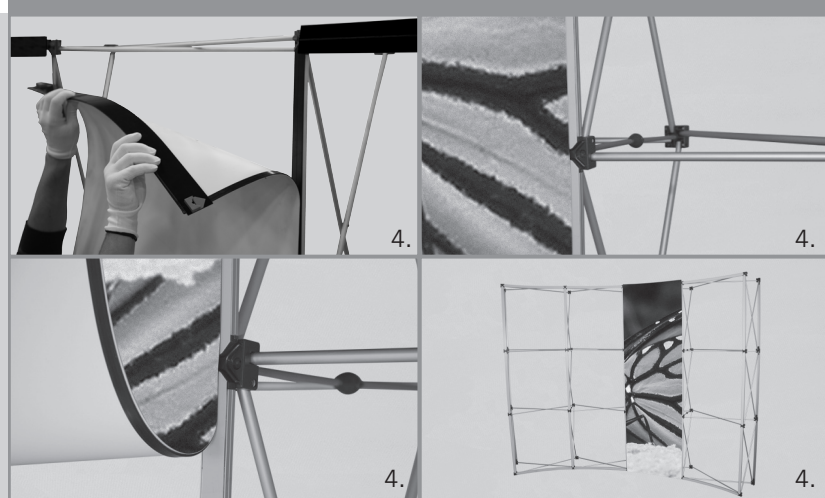
# Pop Up Backdrop Magnet Curved

## Assembly Instructions

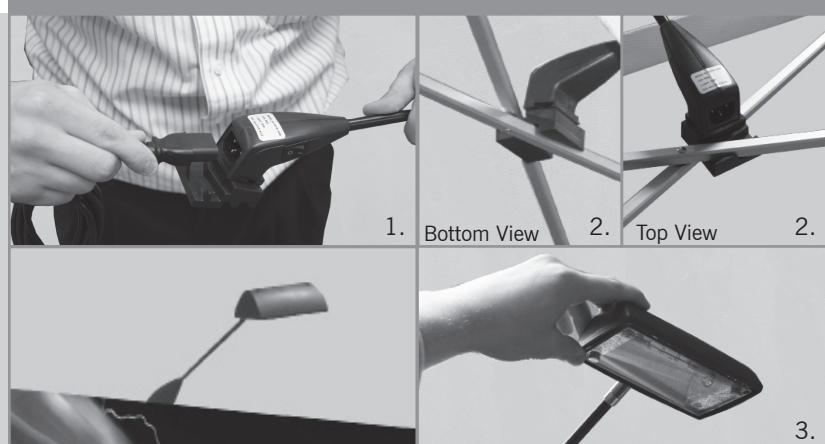
R5.102914



1. Fold out the frame until fully expanded by pulling outward on either side. Make sure the light gray cross sections are on the top.
2. Once expanded, close the magnetic connections at the cross sections in the middle of the frame.
3. Attach the magnetic channel bars to the cross sections at the front and on the outer cross sections of the back side. The magnetic channel bars attach by magnets when placed into the plastic grooves on the frame.



4. Unroll print panels from packaging. Attach print panels starting with one of the outside end cap panels. Hook panels onto frame at the top, then attach the rest of the panel to the magnetic channel bars working to the bottom
5. Line up the next panel to the first one. Repeat this step for the remaining panels, working from one side to the other.



### Pop Up Light Accessory

1. Connect light cords to lights.
2. Attach lights by placing the clamp on the outside cross sections on top of the frame.
3. Tilt the head of the lights into place.