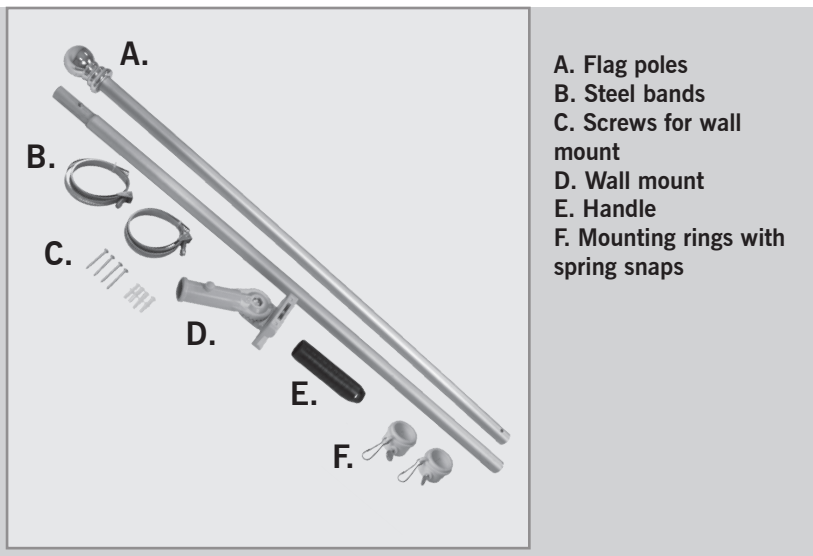
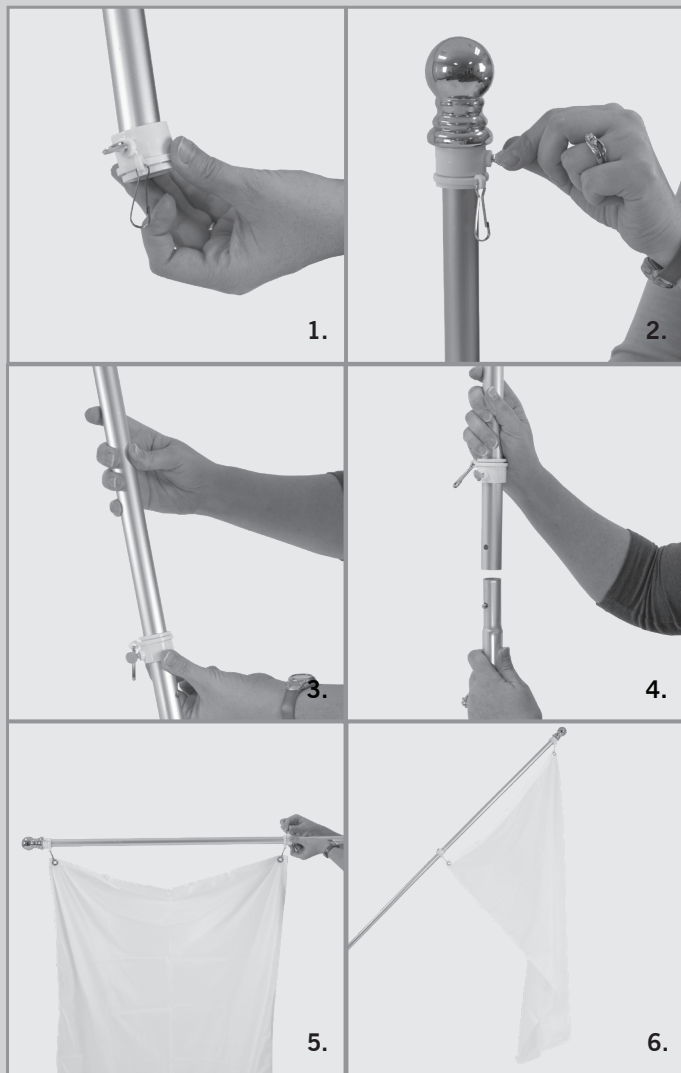


## ASSEMBLY HARDWARE



## POLE & FLAG ASSEMBLY



1. Slide a mounting ring to the top of the flagpole. Make sure the spring snap is facing downwards.

2. Tighten the mounting ring against the pole using the screw.

3. Slide the second mounting ring onto the flagpole. Make sure the spring snap is facing upwards. Space out the second ring so that it is equal to the height of the flag, and then move it up the pole approximately 2 inches. Tighten the mounting ring against the pole.

4. Connect the two flagpole halves using the snap-and-click buttons.

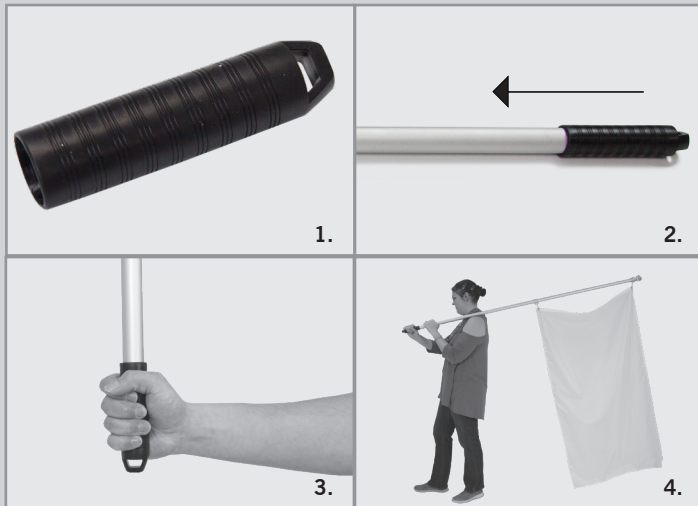
5. Clip the spring snaps onto the flag's metal grommets.

6. Flag & pole assembly is now complete! Move on to the next page to view further assembly instructions.

# 6FT FLAGPOLE

Assembly Instructions | R1.122618

## HAND HELD ASSEMBLY



1. Locate the black flagpole handle.
2. Attach the handle to the flagpole by pushing it onto the pole until it fits snugly.
3. Grip flag pole handle tightly to ensure snug fit.
4. Carry flag pole with two hands when transporting.

## WALL MOUNT ASSEMBLY



1. Gather flagpole wall mount and screws.
2. Screw wall mount into place with one screw in all four corners.
3. Insert the flagpole into the wall mount.
4. Adjust the angle of the flagpole.

## POLE MOUNT ASSEMBLY



1. Put the steel bands through the flagpole mount and around the pole the flagpole is being mounted to.
2. Tighten the screws on the steel bands.