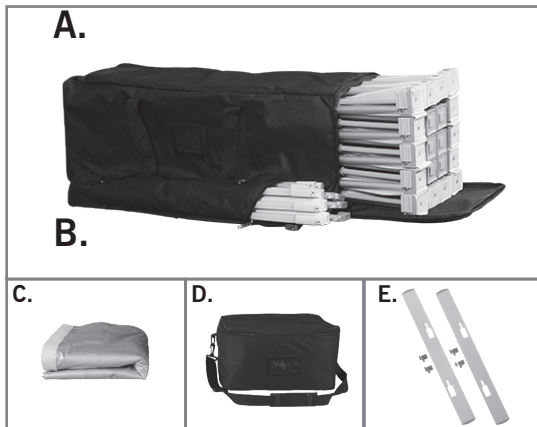
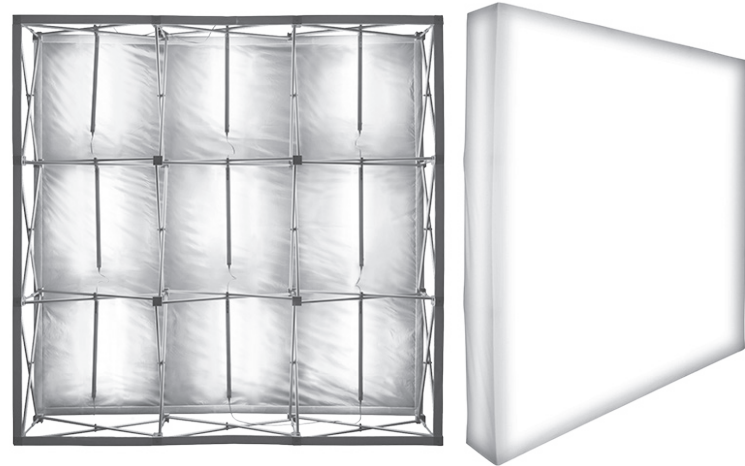


ASSEMBLY HARDWARE

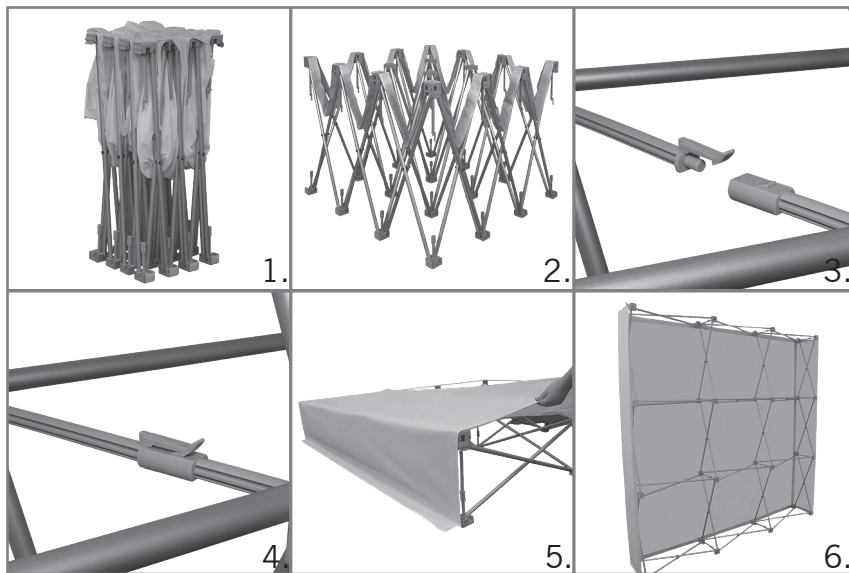


- A. Aluminum Frame & Carrying Case
- B. LED Tube lights & Carrying Case
- C. Silver Diffuser Panel
- D. Print & Diffuser Carrying Case
- E. Pop Up Stabilizing Feet*

*Optional



FRAME ASSEMBLY AND PRINT ATTACHMENT



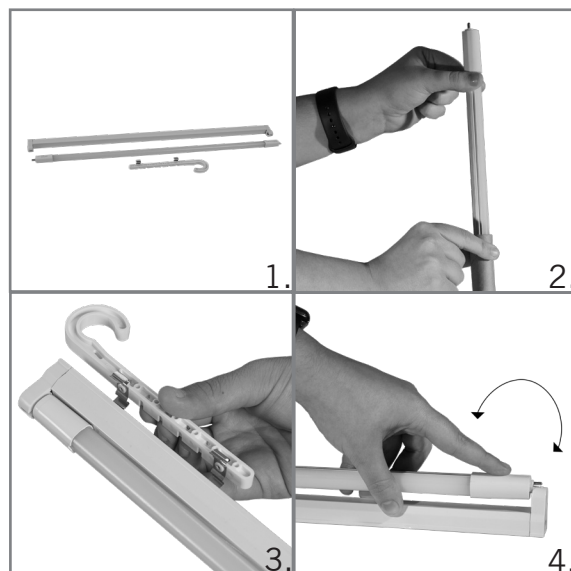
FRAME ASSEMBLY

1. Place fully collapsed frame down onto the ground with the hook adhesive strip facing up.
2. Begin to expand the frame outwards.
3. Connect all exposed plastic connectors, located within the frame.
4. Press each end together until the plastic tabs "snap" into place.

PRINT ASSEMBLY

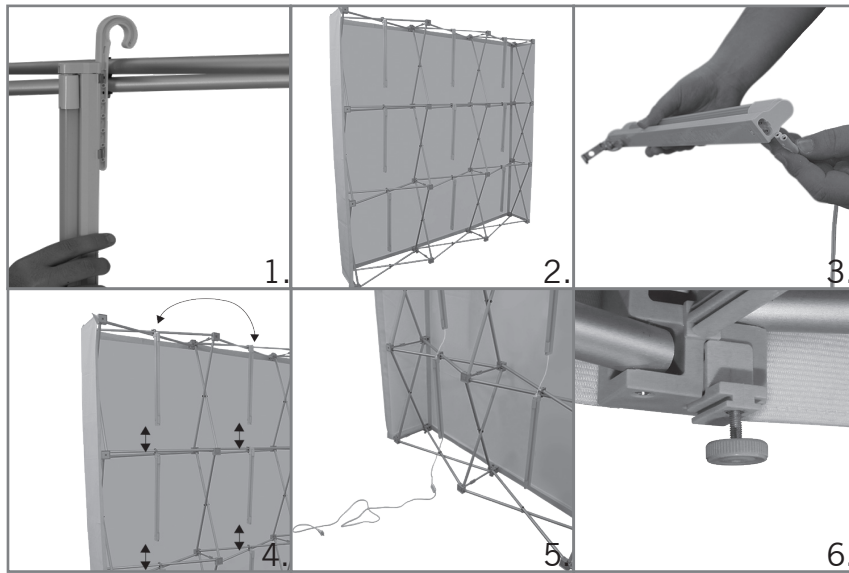
5. Line up the print to the top and bottom of the frame. Leave some print overhang around the sides. Secure the print's loop adhesive to the frame's hook adhesive tabs. Start at the top of the frame and continue to the bottom.
6. Secure the print to the sides. Ensure some of the print is unattached for proper installation of the diffuser panel.

LED TUBE LIGHT ASSEMBLY



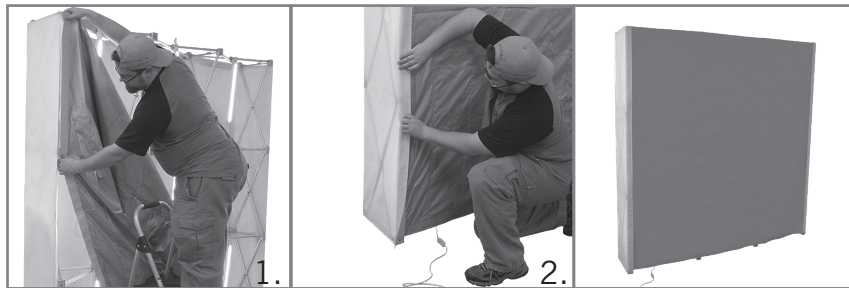
1. Components for LED Light: the LED light frame, the LED light and the light hook.
2. Remove the LED light from its cardboard tube.
3. Attach the lights to the clips on the back of the plastic holder.
4. Press the light into the frame and rotate it until it locks into place.

LED TUBE LIGHT INSTALLATION



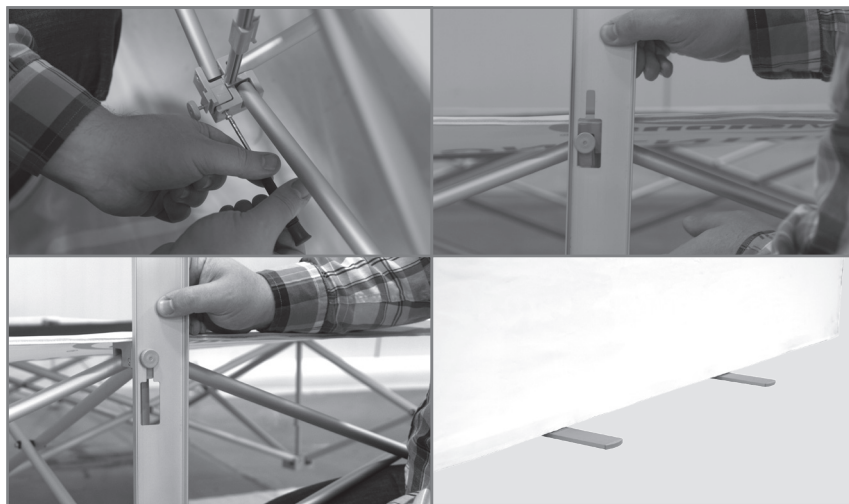
1. Ensure the frame is standing upward and place the lights on the frame. The lights should be facing away from the print.
2. The hooks attached to the LED tube lights should hang from the screws on top of each section of the frame where sections crisscross.
3. Insert connection cables into the top and bottom of each of the light casings.
4. The longer cables are meant for spanning horizontally from one column of the frame to the next and the shorter cables are used for vertical connections between lights.
5. Plug the power cord into a nearby outlet and bottom left or right light. Turn the power switch to the "On" position, as well as the power switches on the individual casings.
6. Adjust the leveling feet at the bottom of the frame should the display need leveled.

MOUNTING DIFFUSER PANEL



1. Take the silver diffuser panel and line it up with the adhesives on the back of the frame. Secure the diffuser panel to the hook adhesive tabs. Start at the top of the frame and continue to the bottom.
2. Take the print from the sides and wrap around to attach to the back of the diffuser panel.

ATTACHING STABILIZING FEET



1. Assemble the frame and lay it down.
2. Remove the screw from an adapter. Attach an adapter to the bottom of the frame. There will be open slots where the adjustable feet are located. Insert the adapter, with the adjustable foot facing out, into this slot. Secure it into the slot by inserting the screw and tightening it with a Phillip's head screwdriver.
3. Install the foot by placing the large portions of the open sections over the adjustable feet. Pull it down and secure it to the frame by tightening the feet.