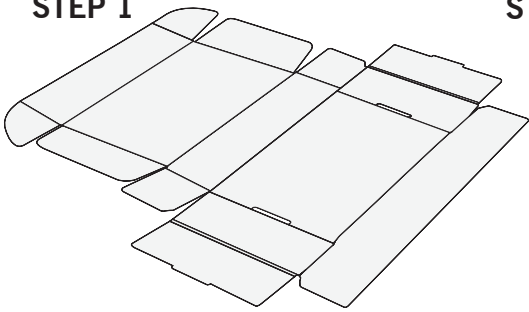
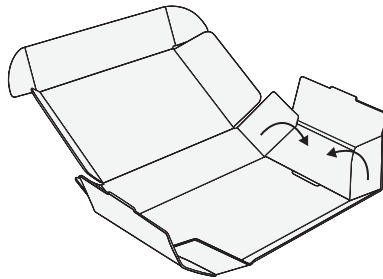


ASSEMBLY

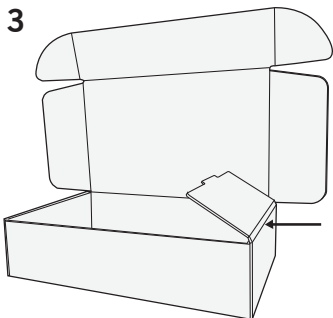
STEP 1



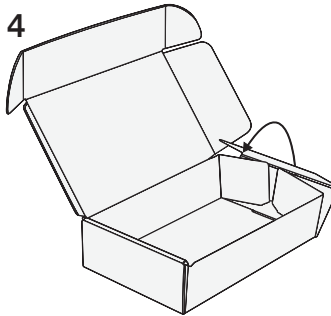
STEP 2



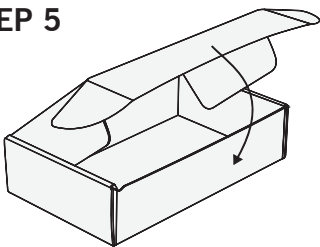
STEP 3



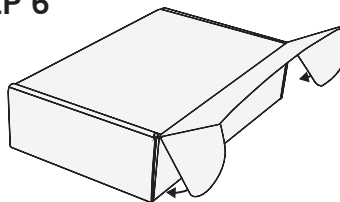
STEP 4



STEP 5



STEP 6



1. Lay the box on a clean, flat surface. Prep the box by pre-folding each of the creases. This will make the box easier to assemble.

2. Fold the two side tabs in towards each other and hold them in place.

3. Begin to fold the side wall over the tabs. Make sure to fold the bottom crease first, then follow with the top crease.

4. Continue to fold the wall over the tabs until it snaps into place. Repeat for the other side.

5. Close the lid and tuck the side flaps into the box.

6. Lock the box by tucking the front flaps into the side walls for a secure hold.