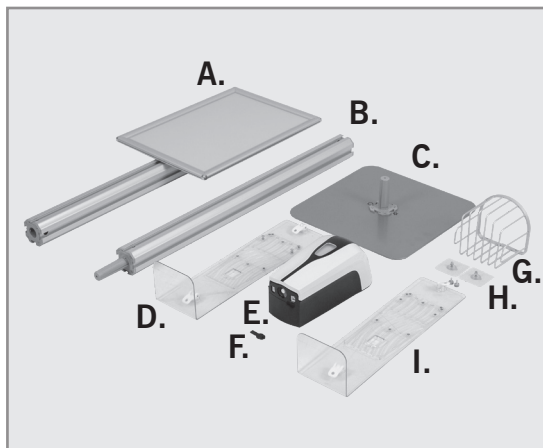


ASSEMBLY HARDWARE



Sanitizer Stand Hardware

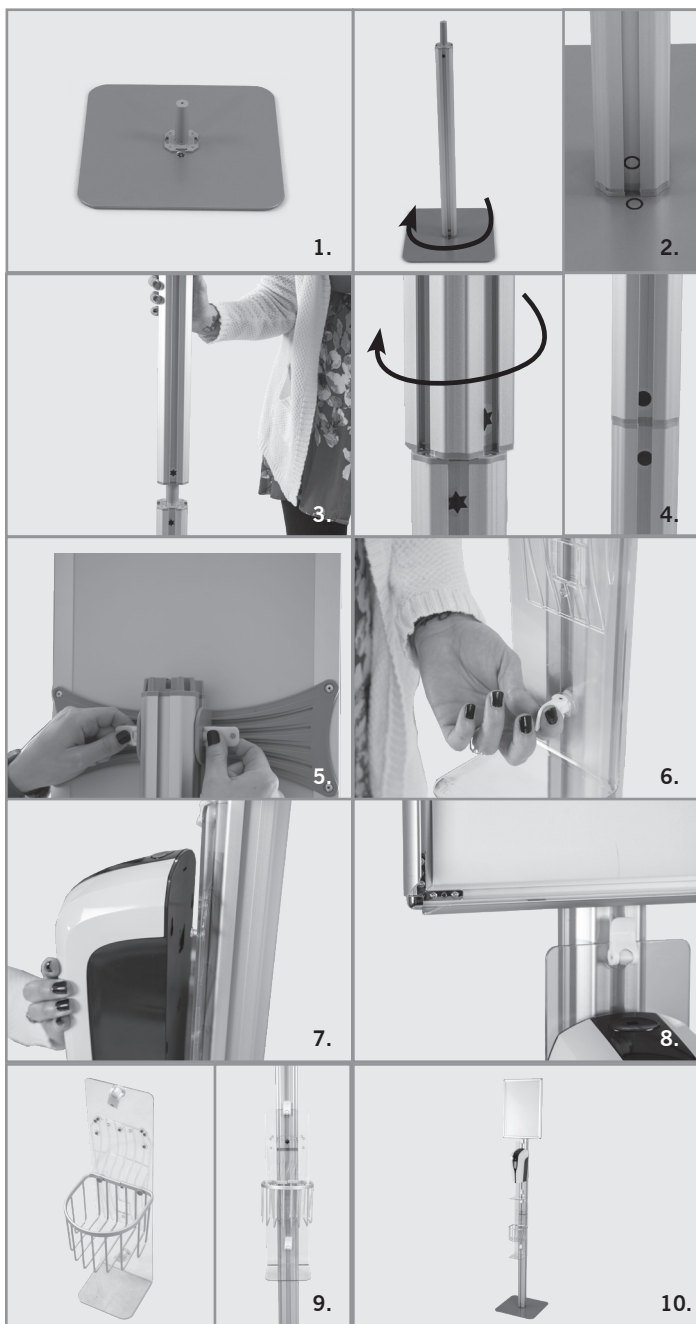
- A. Top pole with snap frame
- B. Bottom pole
- C. Base
- D. Sanitizer holder
- E. Sanitizer dispenser
- F. Sanitizer key

Wire Basket Hardware

- G. Wire basket
- H. Wire basket mounting pieces
- I. Wire basket holder



ASSEMBLY



1. Set the base onto flat ground.
2. Place the bottom pole onto the base. Twist the pole until the circle icons are aligned.
3. Place the top pole with snap frame onto the bottom pole. The star symbols should be aligned.
4. Twist the pole until the circle icons are aligned.
5. Adjust the height of the snap frame if desired. Use the wing clamps to lock the snap frame into place once the desired height is reached.
6. Place the sanitizer holder onto the poles at the desired height. Use the wing clamps to lock the holder into place.
7. Line up the sanitizer dispenser brackets with the holder and lock it into place.
8. Open the snap frame, remove the protective cover, and place your graphic into the frame. Once it is centered within the frame, place the protective cover on top and close the sides of the snap frame.
9. **(Optional Wire Basket Accessory)** Screw the wire basket onto the plastic holder with included screws and place onto the pole. Use the wing clamps to lock the holder into place.
10. Your snap frame with wire basket accessory is now ready to use.