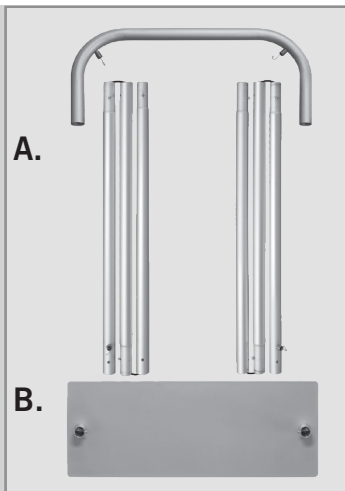
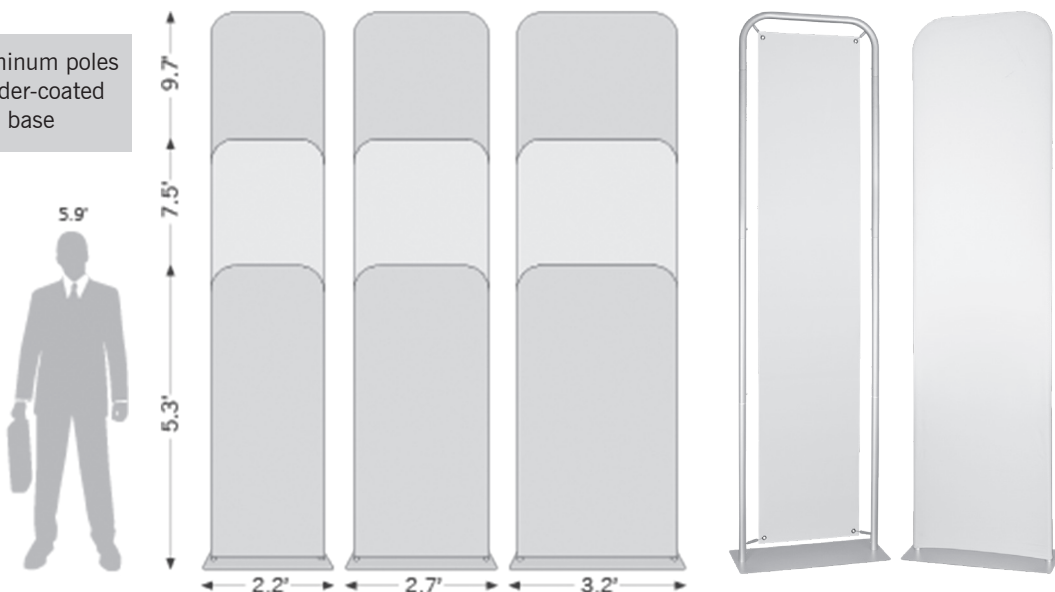


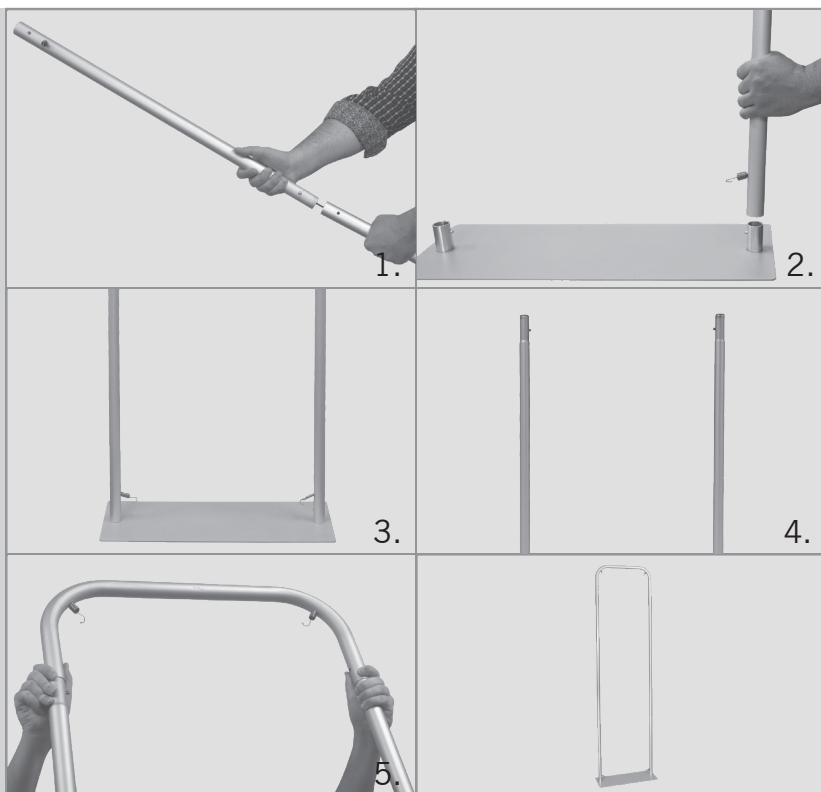
ASSEMBLY HARDWARE



A. Aluminum poles
B. Powder-coated steel base



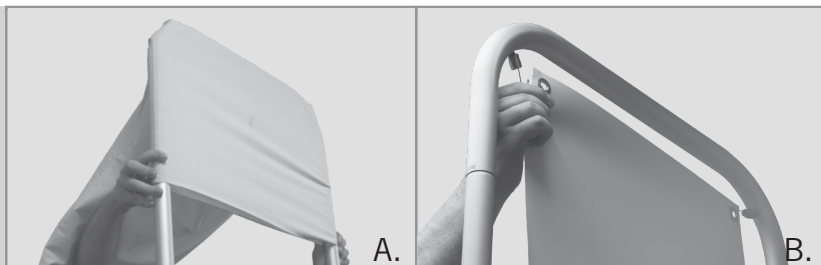
ASSEMBLY



1. Connect bungeed poles together. Press the button down and slide poles together until they click into place. Repeat for other poles.
- 2-3. Attach the pole set to the steel base. The bottom is indicated by the button hole and spring. To connect, push in the button and slide pole down until the buttons click into place.
4. Some heights require an extra pole. Connect the poles to the top piece by pressing in the buttons and sliding the poles together until they click into place. You may need to use a step-ladder to complete this step.
5. Connect the top piece by pressing in the buttons and sliding the top pole down until the buttons click into place. You may need to use a step-ladder to complete this step.

Pillowcase

Suspension



Pillowcase

- A. To attach the print, slide the print down over the frame the entire way. You may need to use a step-ladder to complete this step. Wear included white gloves during this step to avoid soiling the print.

Suspension

- B. To attach the print, connect the hooks on the frame to the 4 grommets on the print. You may need to use a step-ladder to complete this step. Wear included white gloves during this step to avoid soiling the print.