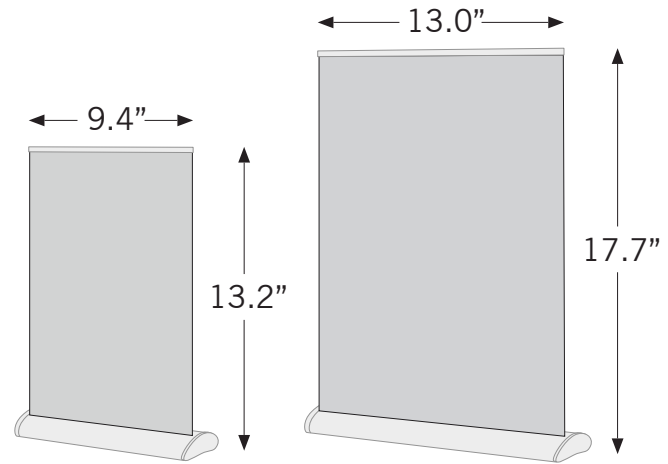
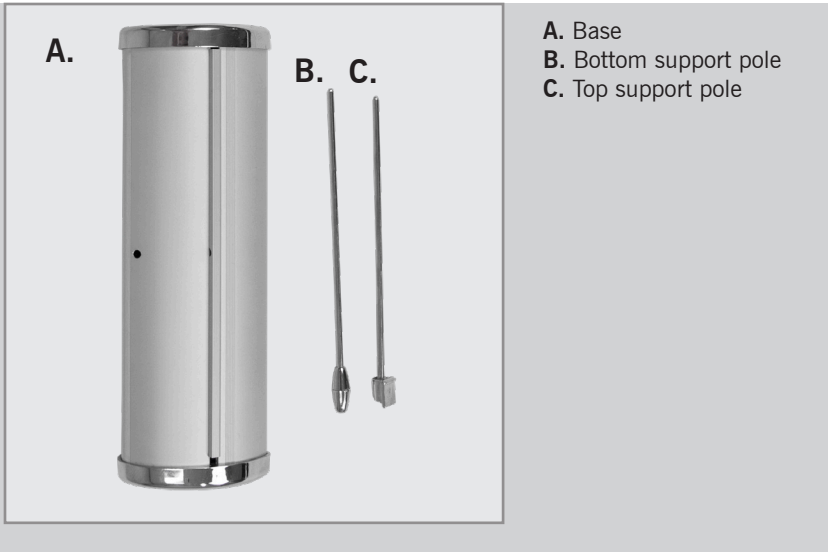


MINI RETRACTABLE BANNER

Assembly Instructions | R1.012418

ASSEMBLY HARDWARE



ASSEMBLY



NOTE:

1. Insert the bottom support pole (B) into the base (A).
2. Attach the top support pole (C) to the bottom support pole (B).
3. Pull the banner up from the base (A) and attach it to the support pole (C) by matching the notch on the back of the banner with the peg on the top of the support pole.
4. The banner is now attached. To disassemble, remove the peg from the notch and allow the banner to slide down into the base. Remove the support pole from the base and disassemble.