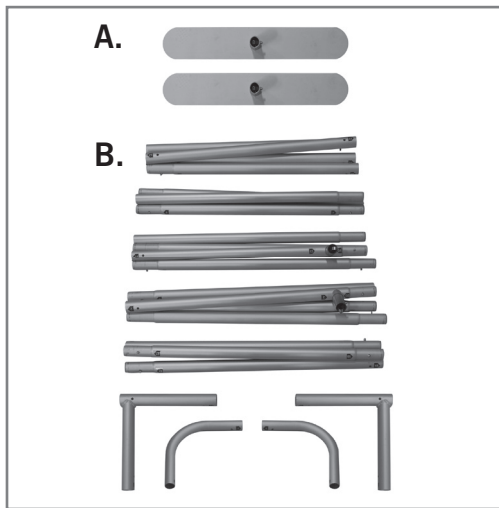


ASSEMBLY HARDWARE

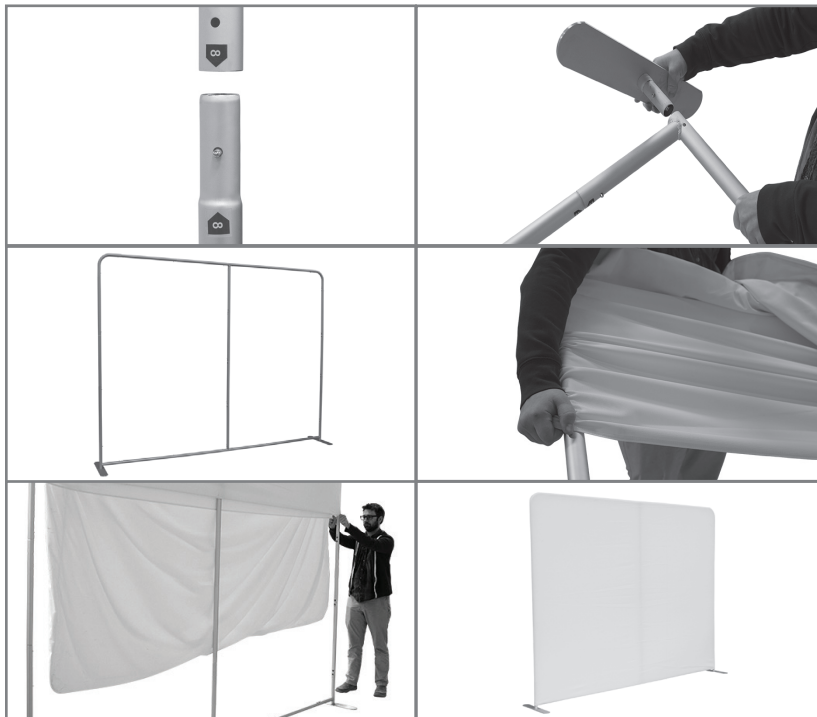


A. Support Feet
B. Frame Poles



Tension Wall Straight

ASSEMBLY



1. Each piece of the aluminum frame will have sticker(s) with numbers to indicate which pieces connect together. To assemble the frame, connect together the Frame Poles (B) with matching stickers. Ensure that the poles snap into place. When fully connected, you will feel or hear a click.
2. Attach Support Feet (A) to the appropriate poles of the frame and then snap them into place.
3. Lower the front of the frame toward the ground. Place the print onto the frame. The opening of the print should go over the top frame poles. Slide the print over the frame.
4. Stand the frame upright. Finish pulling the print down over the frame.