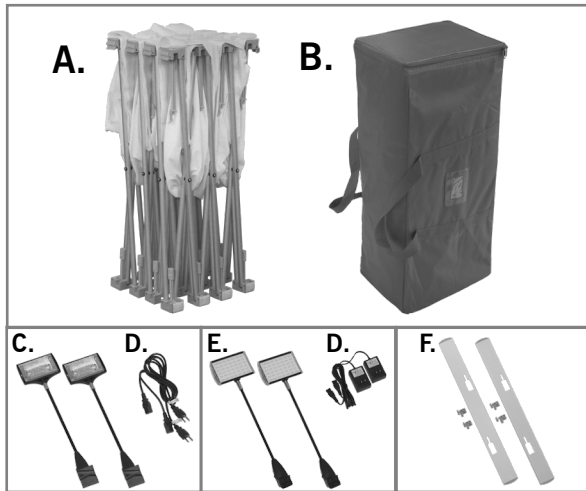


Pop Up Backdrop Straight & Curved

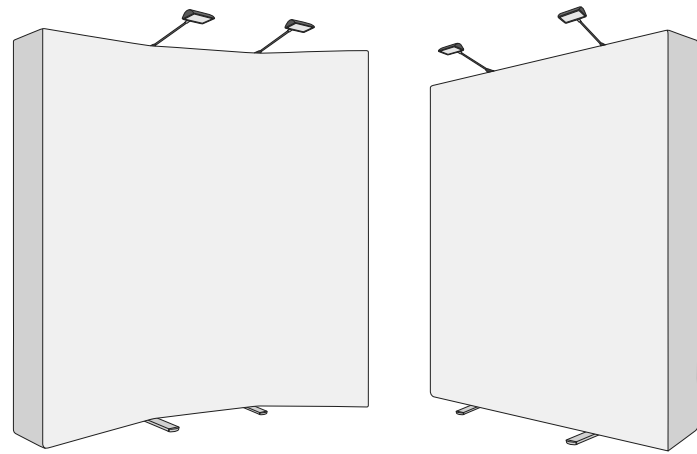
R3.011317

ASSEMBLY HARDWARE

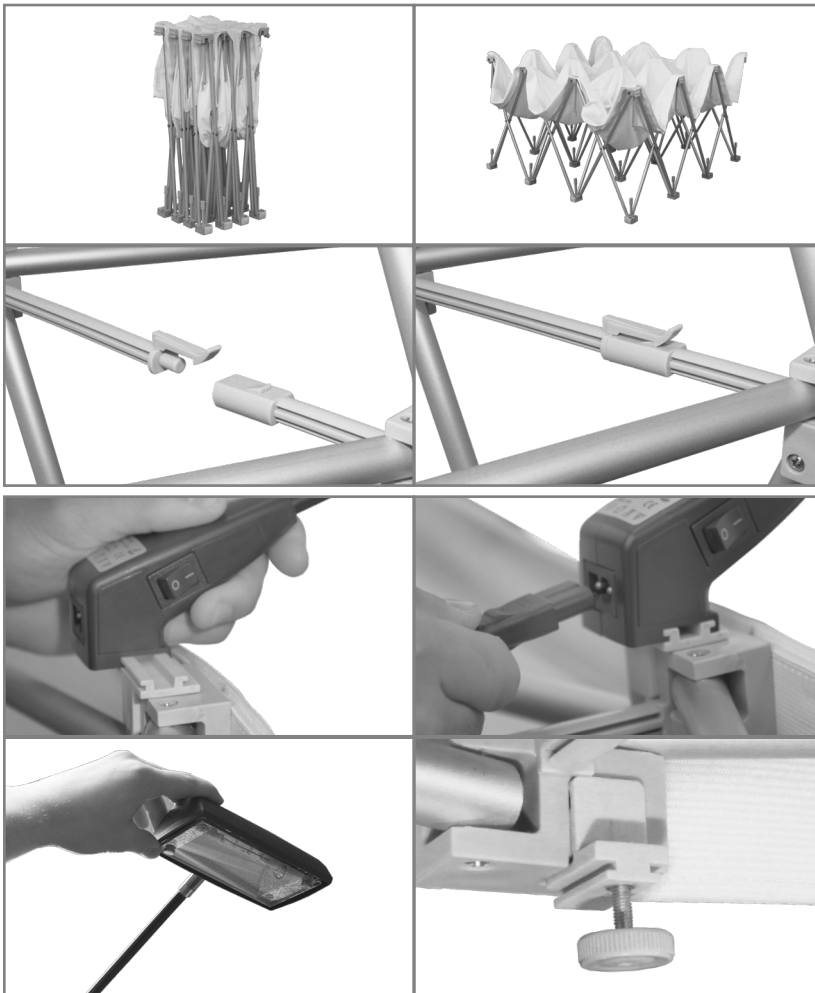


- A. Frame
- B. Carrying Case
- C. Pop Up Backdrop Light Halogen*
- D. Light Cord*
- E. Pop Up Backdrop Light LED*
- F. Pop Up Stabilizing Foot - Set of 2*

* Optional



ASSEMBLY



NOTE: Additional people may be required for larger displays.

1. Place fully collapsed frame (A) down onto the ground with the print side facing up.
2. Begin to expand the frame (A) outwards.
3. Connect all exposed plastic connectors, located within the frame (A), by pressing each end together until the plastic tab “snaps” into place.

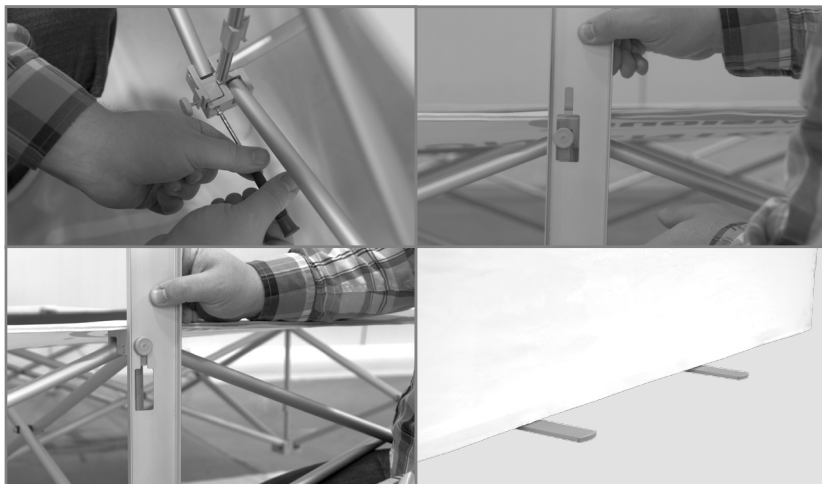
OPTIONAL: If Pop Up Backdrop Lights are NOT being used skip to STEP 7.

4. Slide the base of the Pop Up Backdrop Light Halogen (C) or Pop Up Backdrop Light LED (E) onto one of the desired light mounts located on the top-front of the frame (A). Repeat with second light, if two are being installed.
5. Connect the light cord (D) into the base of the light(s).
6. Stand the fully assembled frame (A) vertically and adjust the angle of the lights. Plug in the light cord (D) and switch the light(s) on. Connect any remaining plastic connectors within the frame (A).
7. If frame (A) needs leveling, adjust the height of the leveling feet located at the bottom-front of the frame (A).

Pop Up Backdrop Straight & Curved

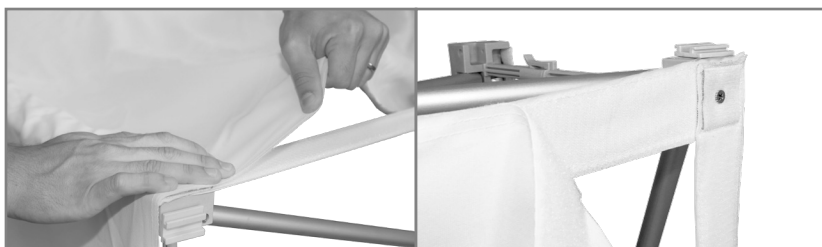
R3.011317

ATTACHING STABILIZING FEET



1. Assemble the frame and lay it down.
2. Remove the screw from an adapter. Attach an adapter to the bottom of the frame. There will be open slots where the adjustable feet (F) are located. Insert the adapter, with the adjustable foot facing out, into this slot. Secure it into the slot by inserting the screw and tightening it with a Phillip's head screwdriver.
3. Install the foot by placing the large portions of the open sections over the adjustable feet. Pull it down and secure it to the frame by tightening the feet.

MOUNTING OR CHANGING PRINTS



Remove the old print by simply pulling the print off the frame (A). To mount a new print, start at one of the corners of the frame (A) and align the corresponding corner of the new print. Begin to attach the print to the frame (A) by using the hook-and-loop adhesive. Make sure the print is **EXTREMELY** taut and even on the frame (A). Continue with the full perimeter of the print.